

Front Bonnet Lock, Adjust



Measure

Measurement of striker pin (1) for front bonnet.

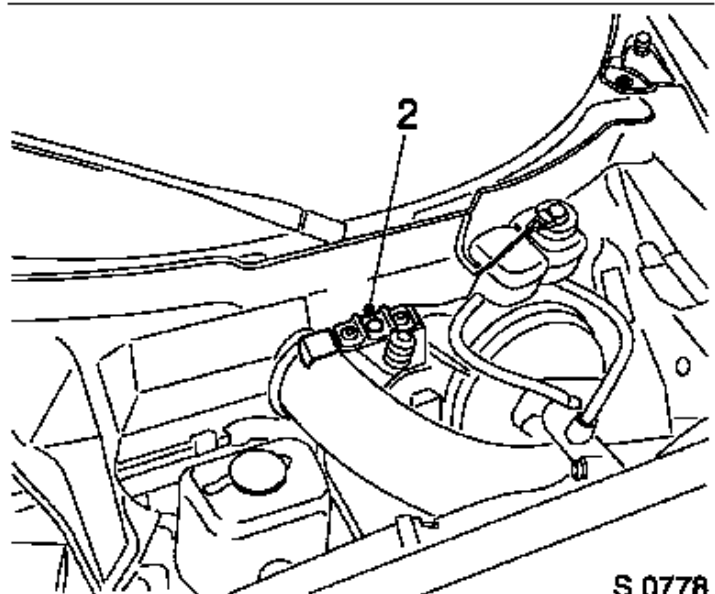
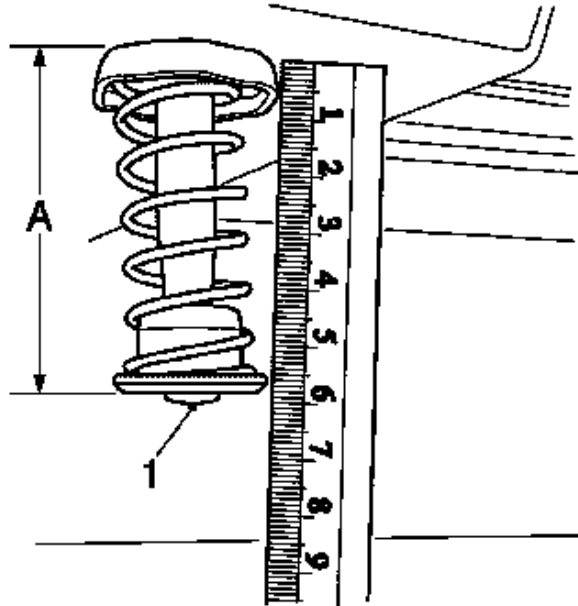


Adjust

Measurement of striker pin (1) for front bonnet if necessary. Measurement A = 58 ± 2.0 mm

Striker pin must enter centre of latch hook (2).

Front bonnet lock must be easy to open.



S 0778